

Scala

Design Marco Piva

VERSIONI E MATERIALI

Sgabello con struttura in acciaio verniciato, sedile e schienale imbottiti, tessuti e pelli da campionario.

COMPLEMENTI

Sedia

VERSIONS AND MATERIALS

Stool with steel painted frame, seat and back upholstered with fabrics and leather from sample book.

COMPLEMENTS

Chair

VERSIONS ET MATÉRIAUX

Tabouret avec structure en métal verni, assise et dossier rembourrés, tissus et cuir comme boîte échantillons.

COMPLÉMENTS

Chaise

Struttura / Frame / Structure

Metalli / Metals / Métaux

Pg. XXI



VAG
Bronzo
Bronze
Bronze


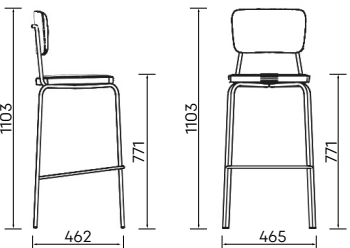


VNO
Verniciato nero
Black polished
Verni noir

Rivestimenti / Materials / Revêtements

Cat A	Pg. VI	Cat B	Pg. VIII	Cat C	Pg. IX	Cat D	Pg. X	Cat E	Pg. XI	Cat PE	Pg. XII	Cat PE 1	Pg. XIII
Spalmato 3% PU, 25% CO, 72% PVC Touch 69% PVC, 20% PES, 10% CO, 1% PU		Stone Velvet 80% PES, 20% CO Origami 100% CO Jojo 65% CO, 25% PV, 10% PL		Capri 16% VI, 47% CO, 8% LI, 14%PL,14%PC, 2%PA		Plush 38%CO, 25%PL, 19%PC,18%WV Velluto luna 100% PL TREVIRA		Hero 96% WV, 4% PA		Pelle Miami 100% LEATHER/CUIR		Pelle Lotus 100% leather green tan / cuir avec tannage vert	

Varianti / Variants / Variantes

Art.	Descrizione / Description / Description		cm	M3	N.	Tot Kg Box	
4130	 <p>SGABELLO IMBOTTITO CON STRUTTURA IN METALLO VERNICIATO. Upholstered stool with painted metal structure. Tabouret rembourré avec structure en métal verni</p> 		46x46x1103	0,37	4	24	10